



guard trac™ is a non-penetrating guardrail system for edge protection. It is certified to latest applicable standard: EN 13374-A:2019.

It is certified for installation on flat roof with the following roof sealant:

- EPDM
- Bitumen
- PVC

In wet and dry condition

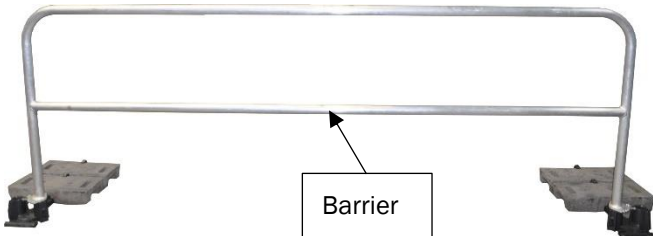

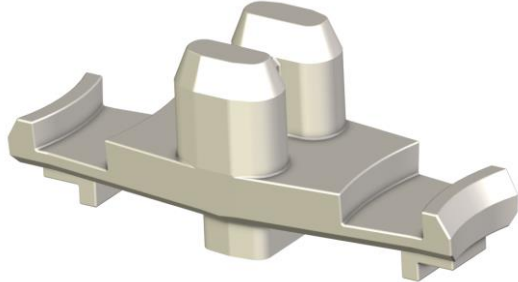
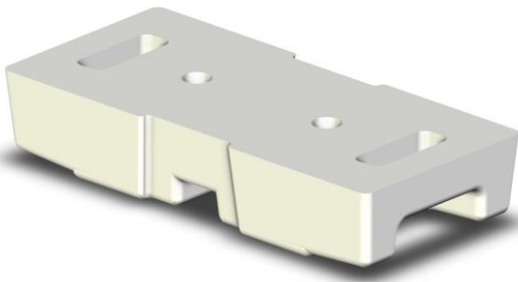
No tool is required for the installation of guard trac™: it is a completely installation tool free. The design and lightweight of each component guarantee an easy and fast installation.

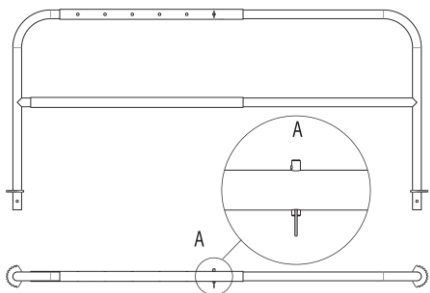
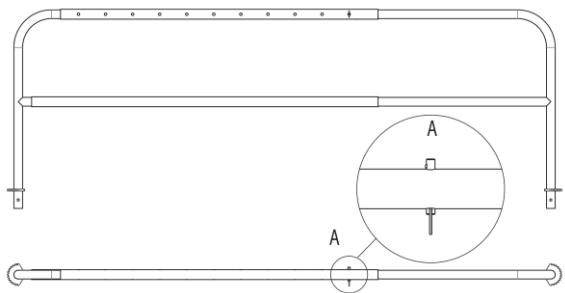
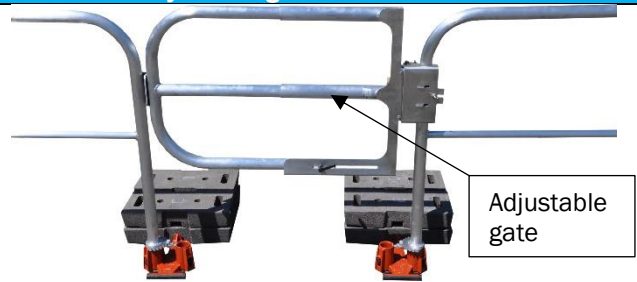
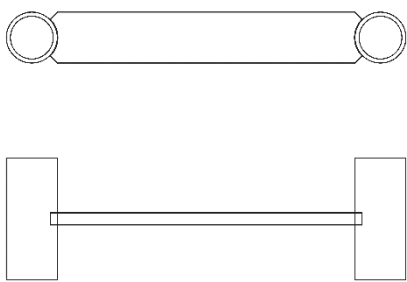
guard trac™ is composed of the following

- guard trac™ standard 3m barrier
- Fully equipped double bracket
- Latch
- Counterweights
- guard trac™ short adjustable barrier 1.50 – 2.25 m
- guard trac™ long adjustable barrier 2.27 – 3.00 m
- Adjustable gate 0.85 – 1.10 m
- Counterweight interface

The guard trac™ system can be installed on roof with a maximum inclination of 10° inward or outward.

It is forbidden, to install the guard trac™ system on the edge of a flat roof without a parapet with a minimum height of 150mm.

guard trac™ standard 3m barrier	Fully equipped double bracket
 <p>Barrier code: 272047 The guard trac™ standard 3m barrier is made in aluminium material. Weight: 8.8kg Overall dimensions: 3000 x 1101 x 120 mm The locking pads at the bottom of each vertical post combine together with the latch allow the alignment and locking between 2 barriers</p>	 <p>Code: 217447 The fully equipped double bracket includes: 1 double brackets in cast iron 1 anti-slip in EPDM 2 plastic clamping cones with their spring Weight: 7 kg Overall dimensions: 752 x 222 x 111 mm Distance between barrier: 75mm</p>
Latch	Counterweight
 <p>Code: 227015 The latch is made in stainless steel Weight: 110g Overall dimensions: 77 x 25 x 32mm It is design to lock 2 barriers into positions one to the other</p>	 <p>Code: 186938 The counterweight is made in reinforced concrete Weight: 25kg Overall dimensions: 487 x 222 x 90 mm The central groove is designed for its installation on the double bracket.</p>

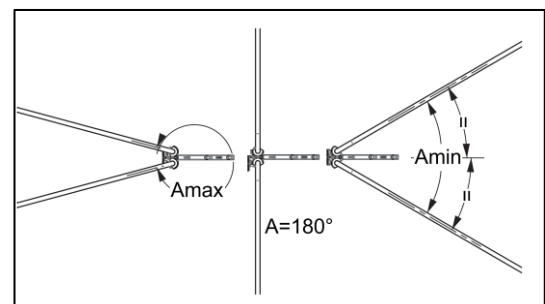
guard trac™ short adjustable barrier 1.50 – 2.25 m	guard trac™ long adjustable barrier 2.27 – 3.00 m
 <p>Code: 272027 The guard trac™ short adjustable barrier is made in the same aluminium material as the guard trac™ standard 3m barrier. Weight: 8kg Overall dimensions: 1500 to 2250 x 1105 x 120 mm It is equipped with a pin to be used to fix the length of the barrier. The adjustment can be done with an increment of 25mm from 1.50 m to 2.25 m.</p>	 <p>Code: 272017 The guard trac™ long adjustable barrier is made in the same aluminium material as the guard trac™ standard 3m barrier. Weight: 9.7kg Overall dimensions: 2275 to 3000 x 1105 x 120 mm It is equipped with a pin to be used to fix the length of the barrier. The adjustment can be done with an increment of 25mm from 2.27 m to 3.00 m.</p>
Adjustable gate 0.85 – 1.10 m	Counterweight interface
 <p>Adjustable gate code: 272067 The gate is made in the same aluminium material as the barriers Weights: 5.8kg Overall dimensions: 850 to 1100 x 670 x 200 mm It can be installed in all position: Opening left – right or inside – out No tool needed for the installation</p>	 <p>Code: 272077 The counterweight interface is made in aluminium material. Weights: 100g Overall dimensions: 197 x 25 x 60 mm It is designed to secured 2 stacked counterweights in the case of a free standing end.</p>

Due to the design of the double bracket, the distance of 75mm between vertical posts needs to be taken into account when calculating the needed quantity of barriers for a straight line section. The Tractel® configurator for guard trac™ takes it into account.

The installation of guard trac™ requires at least 2 counterweights on every double bracket. When a free standing end is existing (open system or gate), 4 counterweights need to be placed on the double bracket and a counterweight interface needs to be placed between the stacked counterweights. To perform a safe installation, at least 2 persons are needed.

The locking mechanism on every bracket offers a wide range of possible angle. This gives the possibility to adapt easily the guard trac™ to building shape. Depending the barriers, there is a different maximum and minimum angle (Amax & Amin)

guard trac™ barriers	Installation angles
Standard 3m	Amin= 30° to Amax= 330° by steps of 30°
Long adjustable	Amin= 30° to Amax= 330° by steps of 30°
Short adjustable	Amin= 60° to Amax= 330° by steps of 30°



For additional information, please refer to the user manual “247299 guard trac™ and guard trac™ plus original manual”